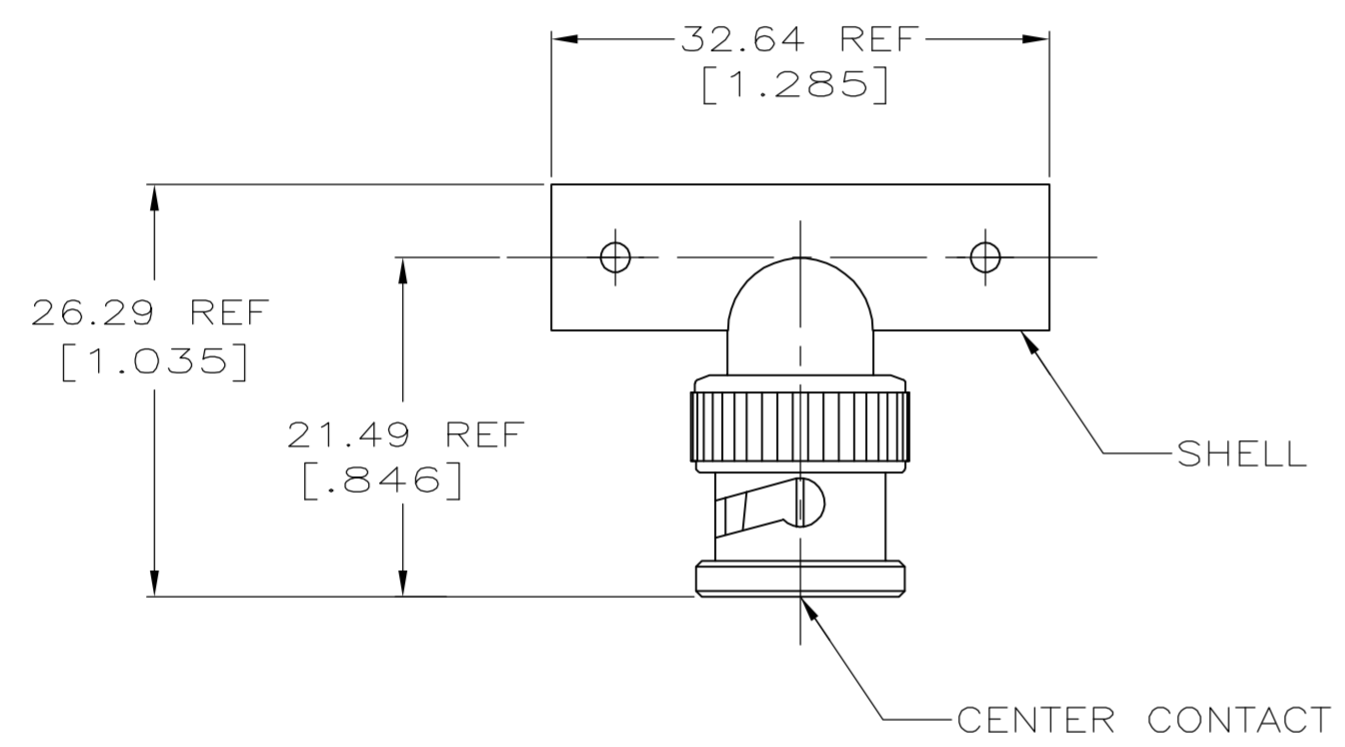


THIS DRAWING IS UNPUBLISHED. RELEASED FOR PUBLICATION
 © COPYRIGHT BY TYCO ELECTRONICS CORPORATION. ALL RIGHTS RESERVED.

LOC	DIST	REVISIONS			
P	LTR	DESCRIPTION	DATE	DWN	APVD
AJ	16	REVISED PER EC OS14-0150-05	01JULY05	BM	JL



- ① DIELECTRIC : DELRIN/POLYMETHYLPENTENE
 PLUG CENTER CONTACT : BRASS
 PLUG OUTER CONTACT : BRASS
 SHELL : ZINC
- ② NICKEL PLATE .000120" MINIMUM THICK
- ③ INTERMATEABLE WITH PRODUCT PER MIL-C-39012
- ④ SILVER PLATE .000200" MINIMUM THICK
 OVER .000050 MINIMUM THICK NICKEL.
- ⑤ PHOSPHOR BRONZE
- ⑥ BERYLLIUM COPPER
- ⑦ BULK PACKAGED: 25 PCS PER BAG
- ⑧ BULK PACKAGED: 5 PCS PER BOX
- ⑨ INDIVIDUALLY PACKAGED
- ⑩ BULK PACKAGED: 100 PCS PER BAG.
- ⑪ INDIVIDUALLY PACKAGED FOR NETCON.
- ⑫ GOLD PLATE, .000015 MINIMUM THICK
 OVER .000050 MINIMUM THICK NICKEL.
- ⑬ GOLD PLATE, .000030 MINIMUM THICK
 OVER .000050 MINIMUM THICK NICKEL.

⑧	⑤	②	④	1-5413592-5
⑨	⑥	②	④	1-5413592-1
⑪	⑤	②	⑫	5413592-9
⑩	⑥	②	⑬	5413592-6
⑩	⑤	②	⑫	5413592-2

MATERIAL: JACK CENTER CONTACT	SHELL PLATING	CONTACT PLATING	PART NO
-------------------------------	---------------	-----------------	---------

THIS DRAWING IS A CONTROLLED DOCUMENT.		DWN L. VARELA - DOCK5 22APR2005	Tyco Electronics Corporation Harrisburg, Pa 17105-3608	
DIMENSIONS: mm [INCHES]		CHK J. HAVENER 22APR2005	NAME T-ADAPTER SERIES BNC	
TOLERANCES UNLESS OTHERWISE SPECIFIED: 0 PLC ± - 1 PLC ± - 2 PLC ± - 3 PLC ± - 4 PLC ± - ANGLES ± -		APVD J. LIPPERT 22APR2005	PRODUCT SPEC 108-12090	
MATERIAL		FINISH	WEIGHT	RESTRICTED TO
① ⑤ ⑥		② ④ ⑫ ⑬	-	-
CUSTOMER DRAWING			SCALE 2:1	SHEET 1 OF 1 REV A

5413592